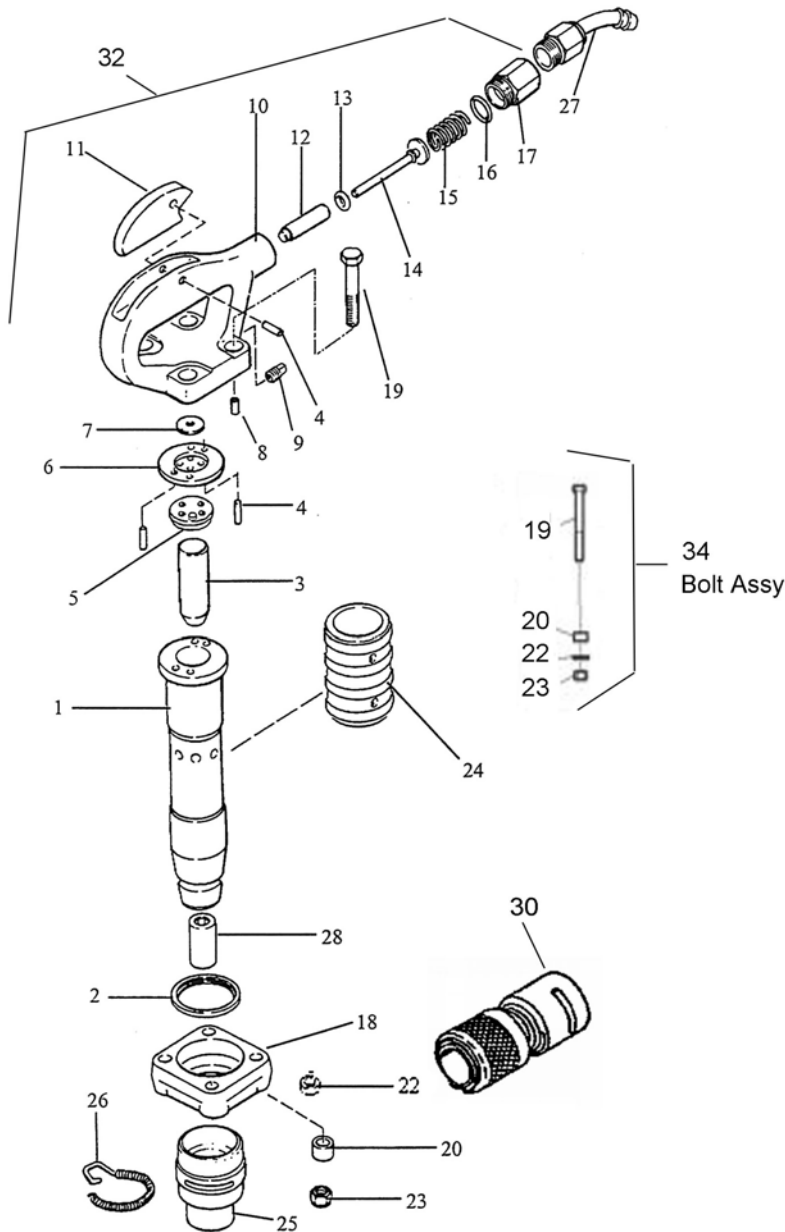


Manufacturer: KENT

Model: KENT-KCB



Index No	Part No	Description
1A	K04193	CYLINDER, 2in
1B	K04194	CYLINDER 3in
1C	K04195	CYLINDER 4in
2	K04196	FLANGE BUMPER RING
3A	K04273	PISTON (2in stroke - Kent KCB-2)
3B	K04274	PISTON (3in stroke - Kent KCB-3)
3C	K04275	PISTON (4in stroke - Kent KCB-4)
4	K04197	PIN
5	K04198	BUMPER, VALVE SEAT
6	K04199	VALVE SPACER
7	K04229	VALVE PLATE
8	K04230	AIR PLUG
9	K04231	AIR PLUG
10	K04235	HANDLE BARE WITH BUSHING
11	K04236	THROTTLE LEVER
12	K04237	BUSHING (tv push pin)
13	K04238	O-RING (TV-seal)
14	K04240	THROTTLE VALVE W/ O-RING
15	K04241	SPRING (throttle valve)

Manufacturer: KENT**Model: KENT-KCB**

16	K04242	replaced by: K00479
17	K04246	INLET BUSHING 7/8-24 FEMALE
18	K04243	FLANGE (4 bolt chipper- KCB-2, 3, 4)
19	K04244	BOLT (handle)
20	K04247	SPACER, HANDLE BOLT (METAL)
22	K04215	WASHER (spring)
23	K04248	NUT (handle bolt - nylock)
24	K04249	DEFLECTOR, EXHAUST
25	K04173	RETAINER
26	K02428	RETAINER SPRING
27	K02460	SWIVEL (7/8-24 x 1/2in barb)
28H	K04170	NOZZLE BUSHING (Hex)
28R	K04165	NOZZLE BUSHING (Round)
30	K04188	BALL TYPE RETAINER
32	K04232	HANDLE ASSY (Our Design)
34	KBM04203	BOLT KIT (includes, washers, nut)